

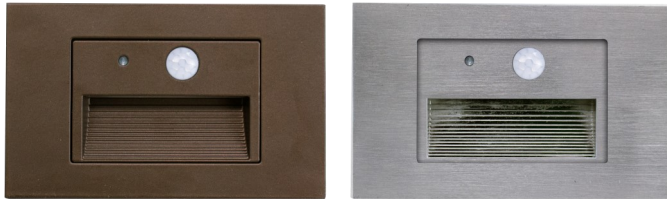
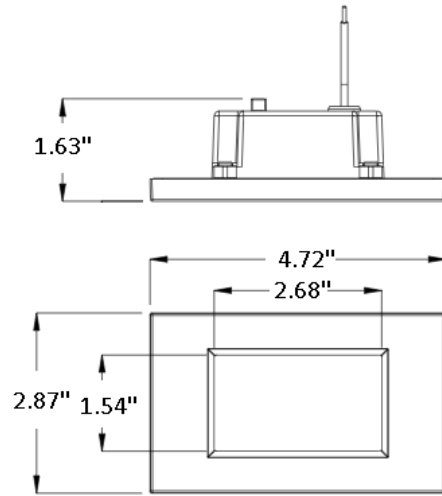


JOB NAME: _____

DATE: _____

TYPE: _____

DIMENSIONS:



SLE-A-120V-MCT-PIR-WH
SLE-A-120V-MCT-PIR-ORB

120V SELECTABLE CCT LED INTEGRATED STEP LIGHTS WITH PIR MOTION SENSOR & PHOTOCELL

Ideal for recessed step lighting, walkway and path lighting, courtyard lighting and deck lighting. Optional face plates sold separately.

ELECTRICAL SPECIFICATIONS:

- Voltage: 120V AC
- Wattage: 3W
- Efficacy: 25LM/W~50LM/W

HOUSING SPECIFICATIONS:

- polycarbonate housing
- White or Oli-Rubbed Bronze or Brushed Nickel Finish
- PIR Motion Sensor & Photocell Included
- Frosted inside of glass lens
- Operating temperature: -40°F ~ 104°F
- Lifespan: 50000 Hrs.
- IP rating: IP65, Wet Locations

CERTIFICATIONS:



MODEL	WATTS	VOLTAGE	LUMENS	COLOR TEMP
SLE-A-120V-MCT-PIR-WH	3W	120V AC	150LM	MCT
SLE-A-120V-MCT-PIR-ORB	3W	120V AC	75LM	MCT

LIGHTING SPECIFICATIONS:

- LED type: Integrated SMD LED Module
- Total lumens: 150LM/75LM
- Color temperature: 3000K/4000K/5000K
- Beam angle: 120°

WARRANTY: 3 years

